



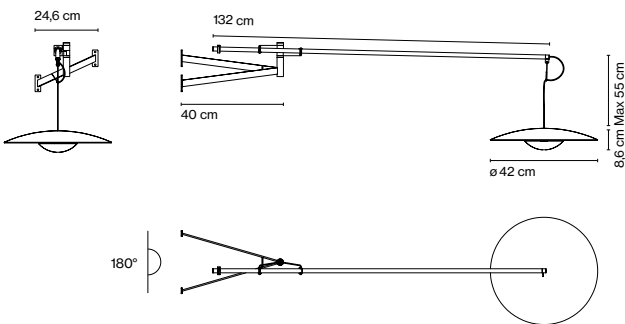
Ginger

Joan Gaspar

marset



Ginger A XL 42



Ginger A XL 42

Light Source:
LED SMD 700mA 16,28W
2700K CRI90 1873lm
Luminaire:
85 - 264 VAC 11W 698lm


LED included

- Oak
- Wenge

Black electrical cord

Connections available: plug-in,
hardwired or recessed

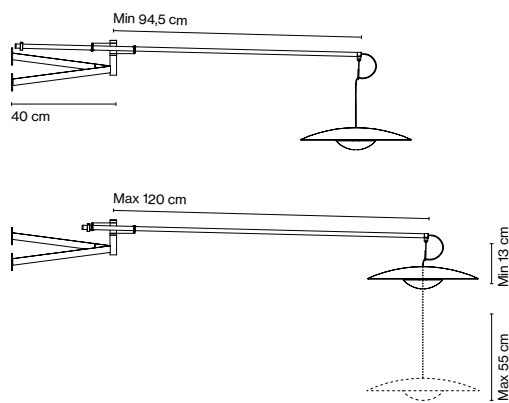
Pressed wood diffuser of 4 mm in natural oak or wenge. Injected aluminium dissipater and metal structure in lacquered black matte. Movable arm made of carbon fiber, lacquered in black matte.

dimmer */ dimmable ** 

* Plug-in wall fixtures: inline motion sensor dimmer
** Hardwired wall fixtures: dimmable

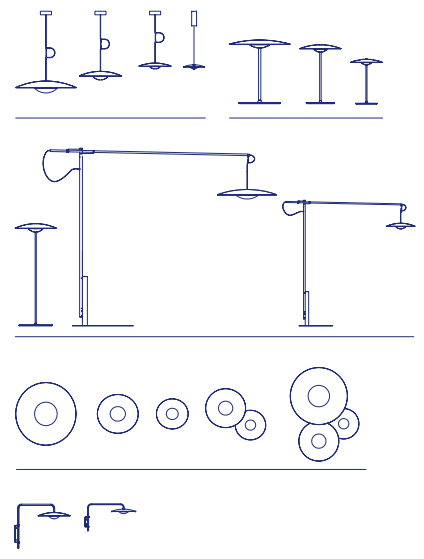


Variety of positions



- [Download](#) Assembly Instructions
- [Download](#) Photometric Data
- [Download](#) 2D
- [Download](#) 3D

Range



Watch the video
info@marset.com
www.marset.com

An adjustable wall lamp with a movable structure that holds the lampshade. This articulated arm offers static movement from one side to another, bringing stability to the whole.

How Ginger illuminates

Ginger A XL 42

